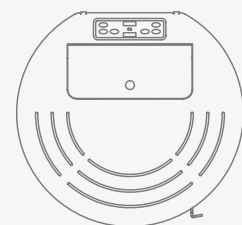
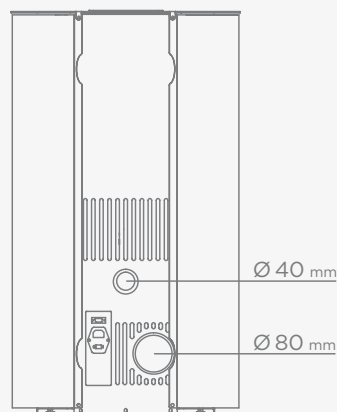
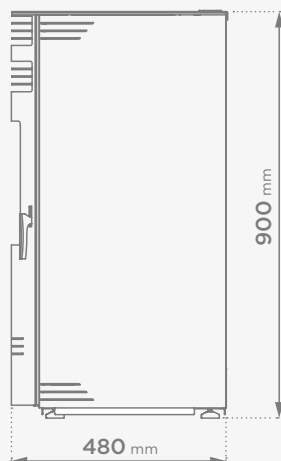
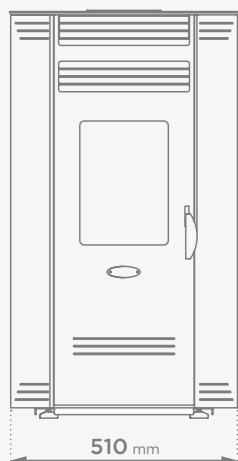


BIO 80Q - 100Q BIO 80QH - 100QH



- Floor or pedestal installation (optional)
- Reinforced steel structure
- Cast iron brazier
- Removable ash drawer
- Painted steel covering
- Chimney protection system
- Enhanced thermal exchanger
- Intelligent heating
- Safety on over-temperature of reservoir / stove
- Summer / winter HealthSystem® function
- Weekly programmer with 4 on / 4 off daily time settings
- **The "H" versions are equipped with HealthSystem®**



Technical features	BIO 80Q	BIO 80QH	BIO 100Q	BIO 100QH
Global power	7,7 kW	7,7 kW	9,5 kW	9,5 kW
Nominal power	3 - 7,1 kW	3 - 7,1 kW	3 - 8,8 kW	3 - 8,8 kW
Efficiency	91 - 93,5 %	91 - 93,5 %	90 - 93,5 %	90 - 93,5 %
Hourly consumption	0,6 - 1,5 kg/h	0,6 - 1,5 kg/h	0,6 - 1,8 kg/h	0,6 - 1,8 kg/h
Volume heated	150 - 240 m ³	150 - 240 m ³	150 - 265 m ³	150 - 265 m ³
Tank capacity	15 kg (pellet Ø 6 mm)	15 kg (pellet Ø 6 mm)	15 kg (pellet Ø 6 mm)	15 kg (pellet Ø 6 mm)
Power autonomy	min 26 - max 10 h	min 26 - max 10 h	min 26 - max 9 h	min 26 - max 9 h
Air pipe	Ø 40 mm	Ø 40 mm	Ø 40 mm	Ø 40 mm
Flue pipe	Ø 80 mm	Ø 80 mm	Ø 80 mm	Ø 80 mm
HealthSystem®	-	Yes	-	Yes
Max air flow rate	190 m ³ /h	190 m ³ /h	230 m ³ /h	230 m ³ /h
Electric consumption	50 - 65 W	50 - 65 W	50 - 65 W	50 - 65 W
Weight	75 kg	75 kg	78 kg	78 kg